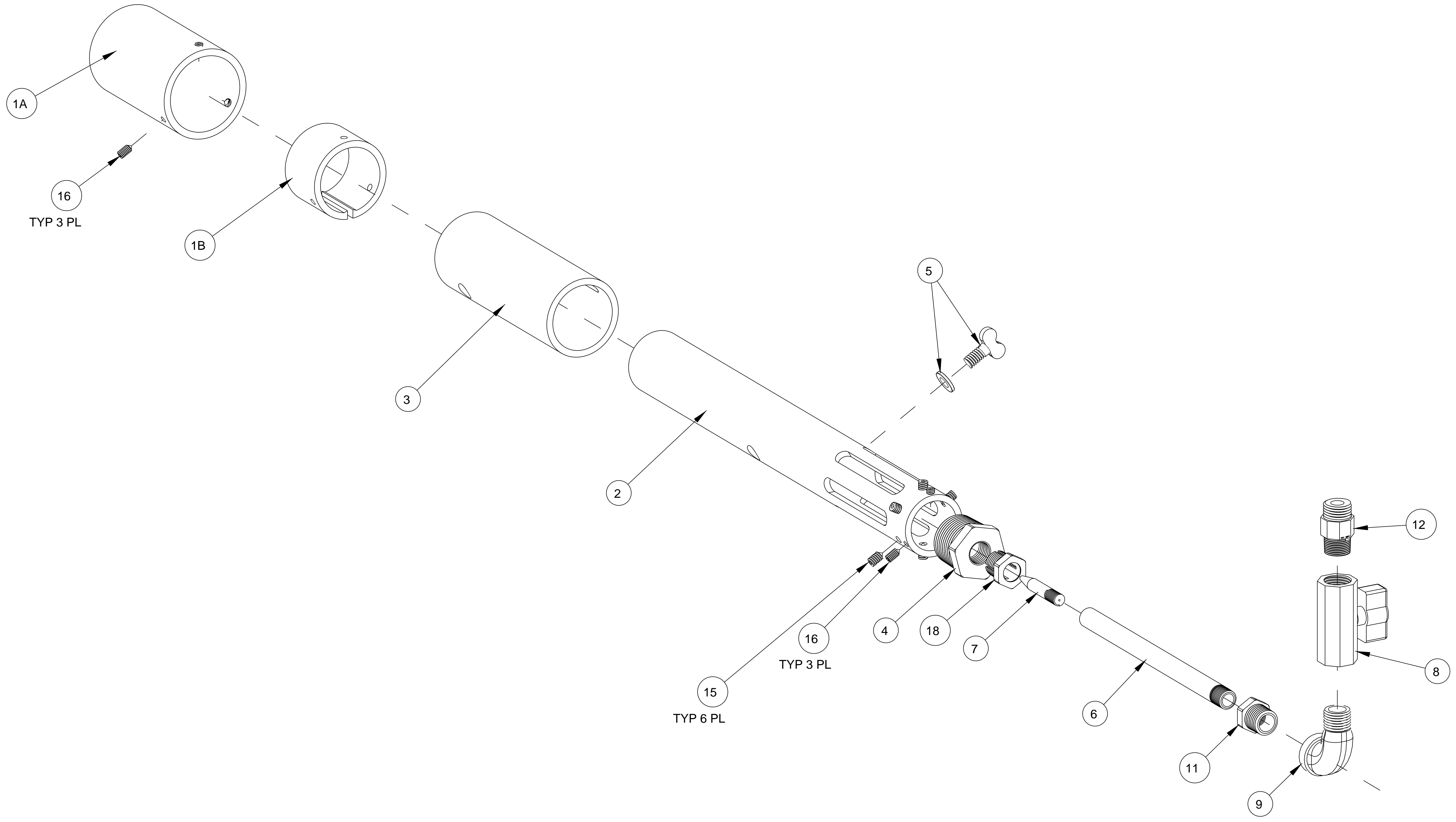


THIS DOCUMENT CONTAINS INFORMATION PROPRIETARY TO BUDGET CASTING SUPPLY LLC. ANY REPRODUCTION, DISCLOSURE OR USE OF THIS DOCUMENT IS EXPRESSLY PROHIBITED EXCEPT AS BUDGET CASTING SUPPLY LLC MAY OTHERWISE AGREE IN WRITING.

REVISIONS				
REV	DESCRIPTION	CHKD	DATE	APPR
	SEE SHEET 1			



SIZE D	DRAWING NO. 4105	REV 1
SCALE: NONE	ProE File	SHEET 3 OF 10